

SCALE 1 : 150

LONGITUDINAL FACE

TRANSVERSAL FACE

GROUND - LEVEL

PEAKS

ARMS



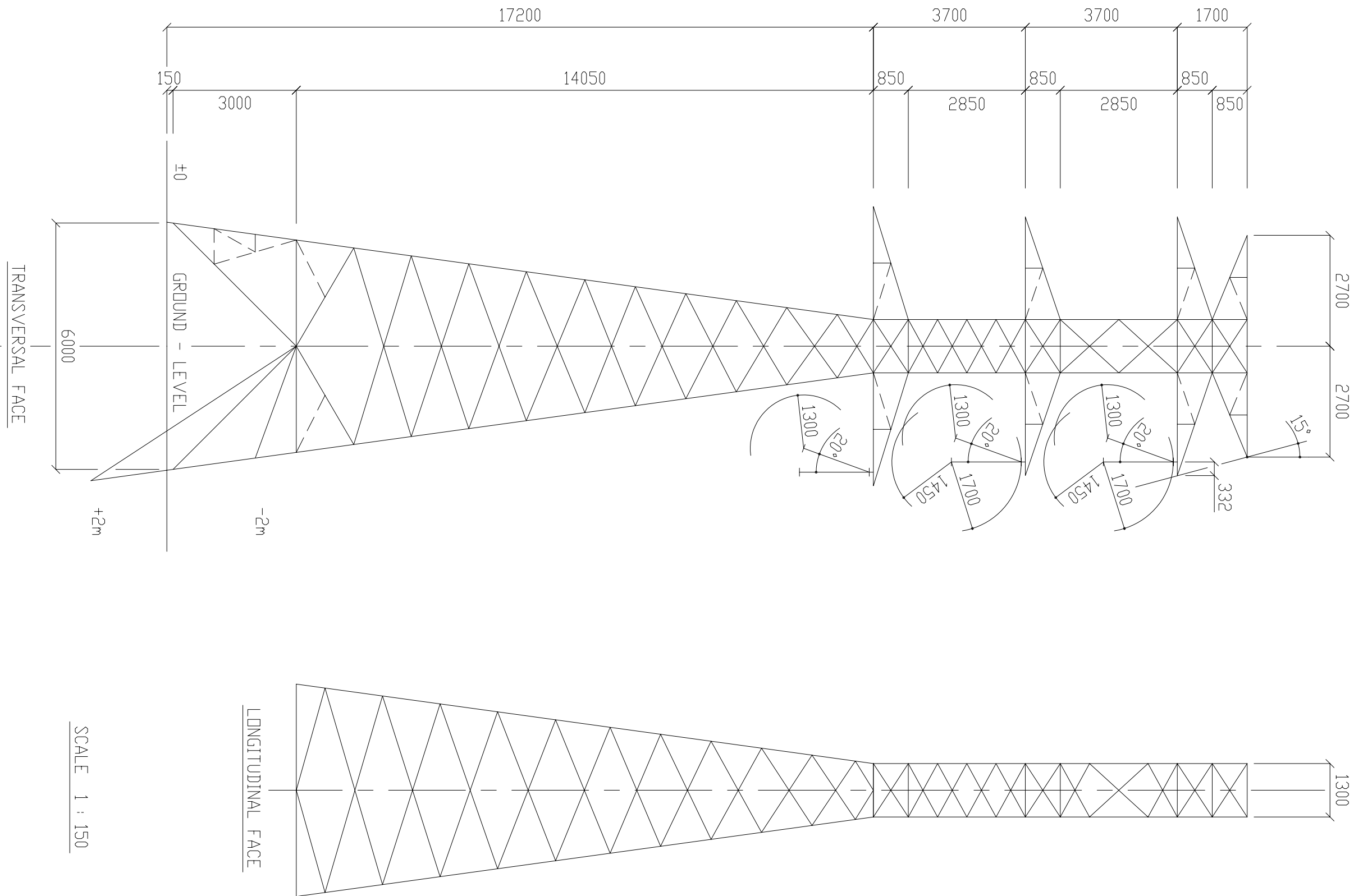
Babcock Ntuthuko Powerlines

PROJECT: 132 KV. TRANSMISSION LINE

TITLE: SUSPENSION TOWER TYPE "245A"

DATE:
DWG. No 2036

THIS DOCUMENT IS THE EXCLUSIVE PROPERTY OF BABCOCK AND MAY NOT, WITHOUT BABCOCK CONSENT BE UTILIZED OR COPIED, REPRODUCED, TRANSMITTED OR COMMUNICATED TO A THIRD PARTY.



SCALE 1 : 150



**Babcock Ntuthuko
Powerlines**

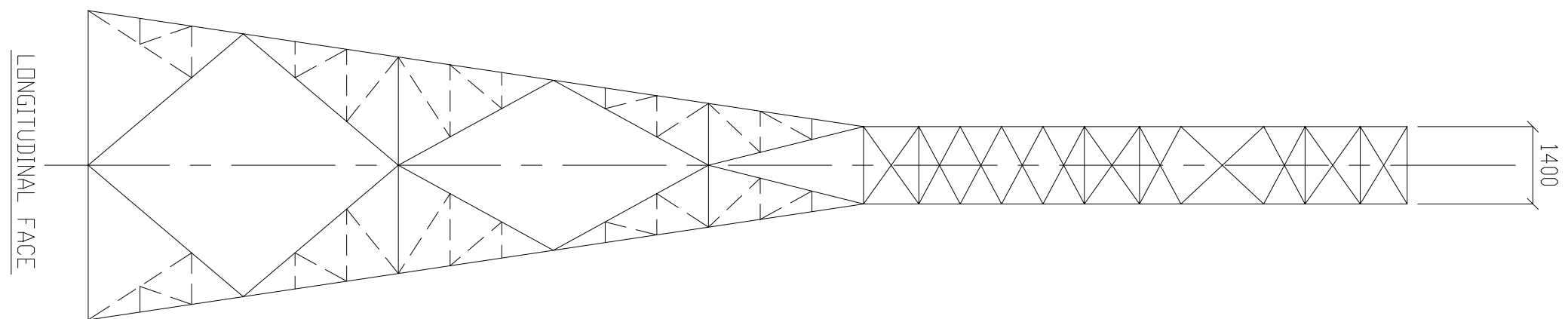
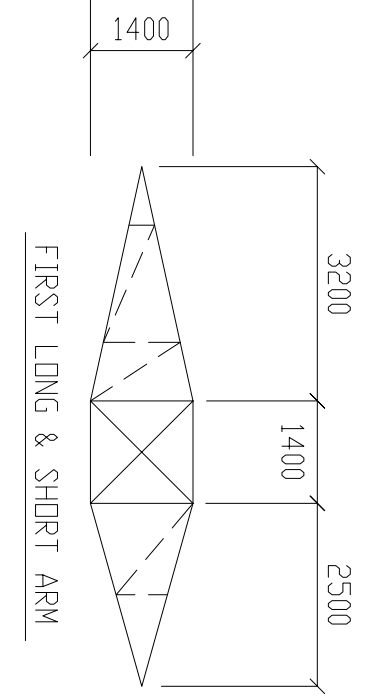
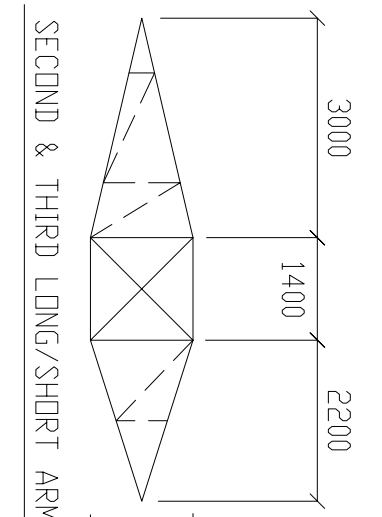
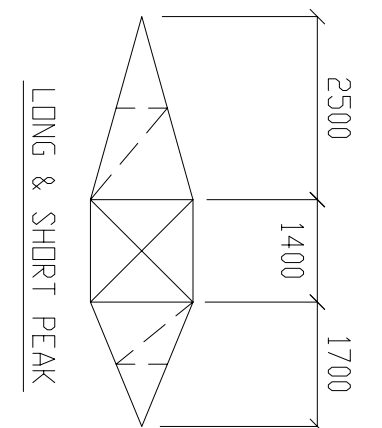
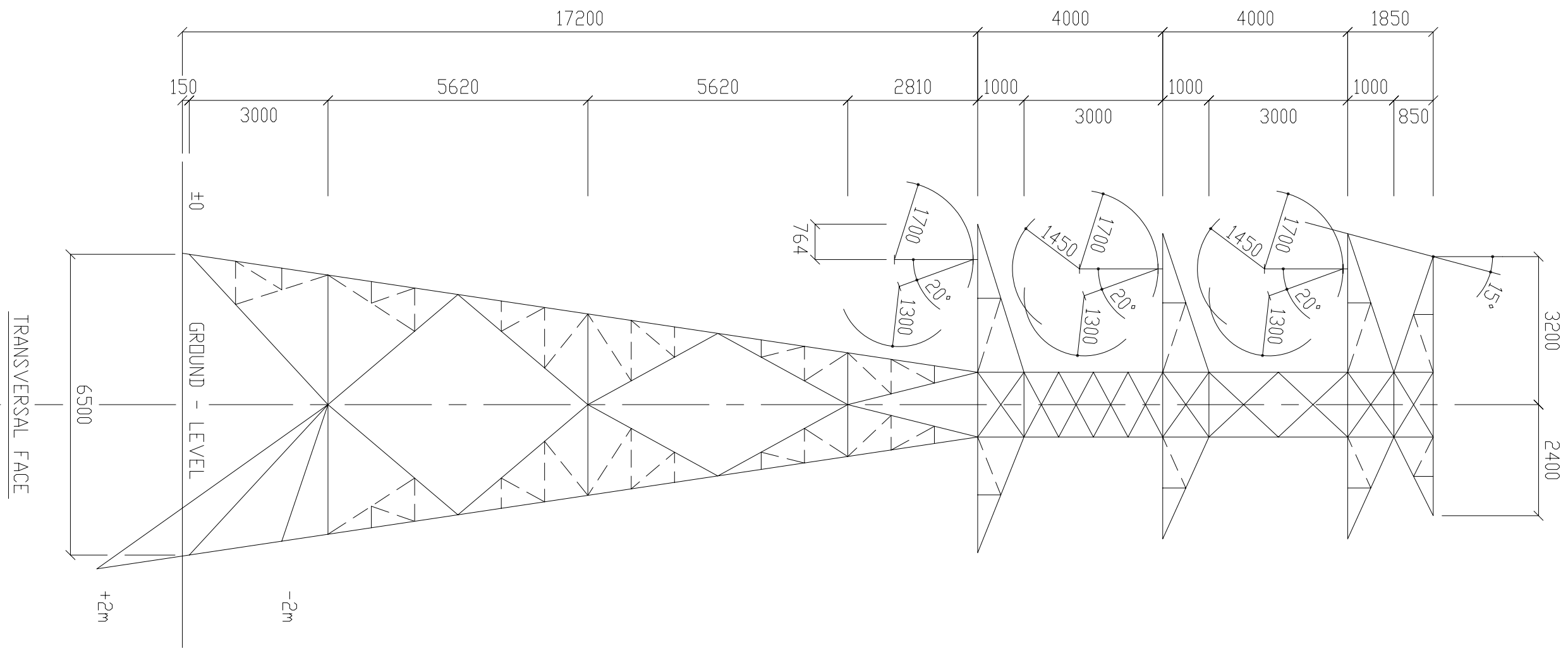
PROJECT: *132 KV. TRANSMISSION LINE*

TITLE: *0°-15° ANGLE STRAIN TOWER TYPE "245B"*

DATE:

DWG. No *2037*

THIS DOCUMENT IS THE EXCLUSIVE PROPERTY OF
BABCOCK AND MAY NOT, WITHOUT BABCOCK
CONSENT BE UTILIZED OR COPIED, REPRODUCED,
TRANSMITTED OR COMMUNICATED TO A THIRD PARTY.



SCALE 1 : 150

Babcock Ntuthuko Powerlines

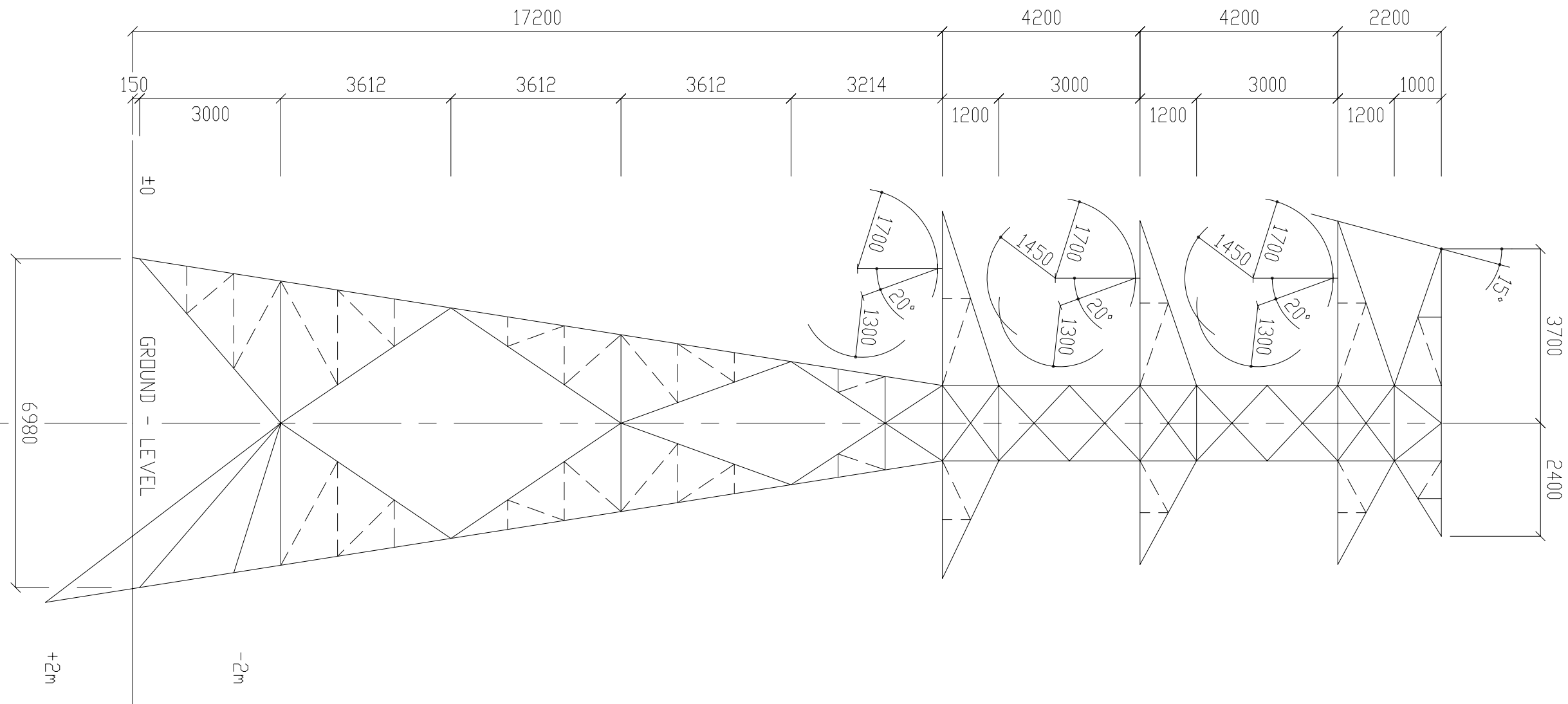
PROJECT: 132 KV. TRANSMISSION LINE
 TITLE: 15°-35° ANGLE STRAIN TOWER TYPE "245C"

DATE:
 DWG. No 2038

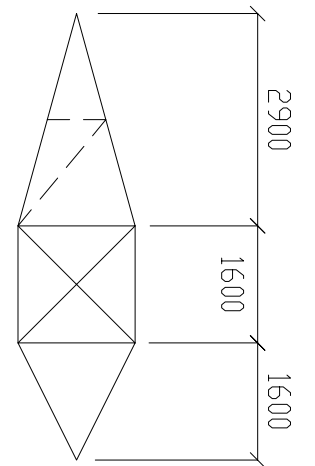
THIS DOCUMENT IS THE EXCLUSIVE PROPERTY OF BABCOCK AND MAY NOT, WITHOUT BABCOCK CONSENT BE UTILIZED OR COPIED, REPRODUCED, TRANSMITTED OR COMMUNICATED TO A THIRD PARTY.



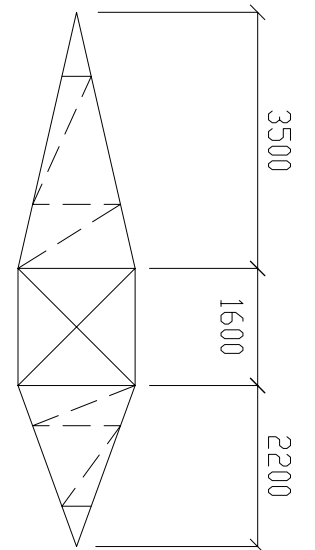
TRANSVERSAL FACE



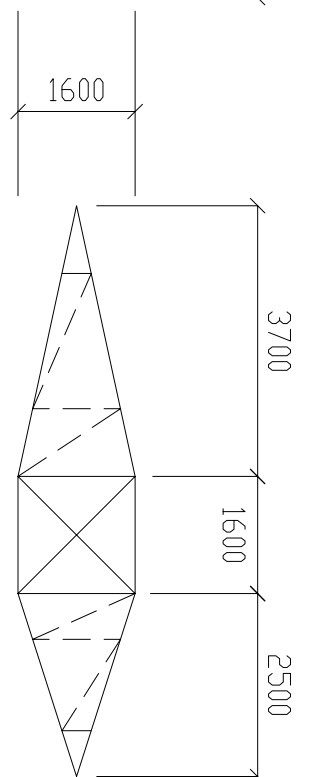
LONG & SHORT PEAK



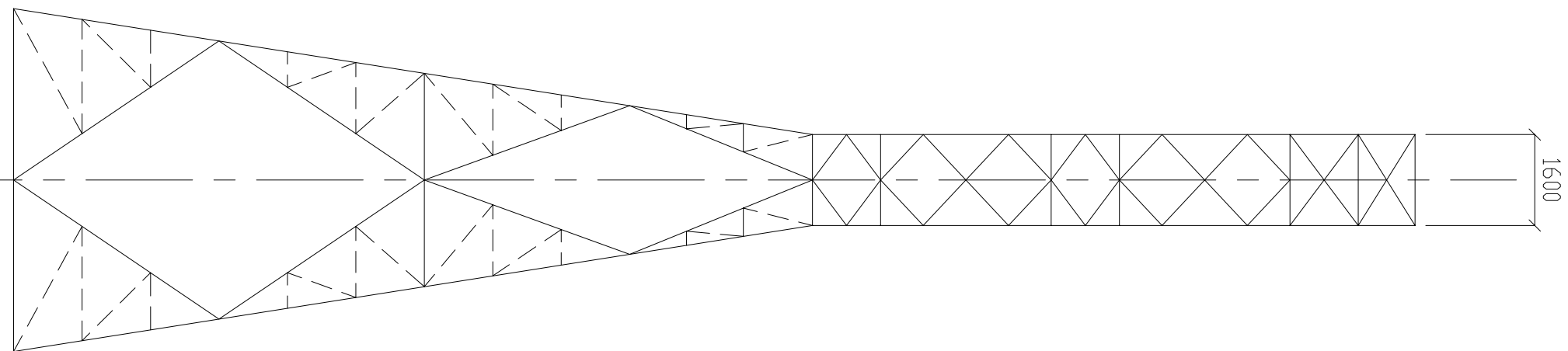
SECOND & THIRD LONG/SHORT ARM



FIRST LONG & SHORT ARM



LONGITUDINAL FACE



SCALE 1 : 150

Babcock Ntuthuko
Powerlines

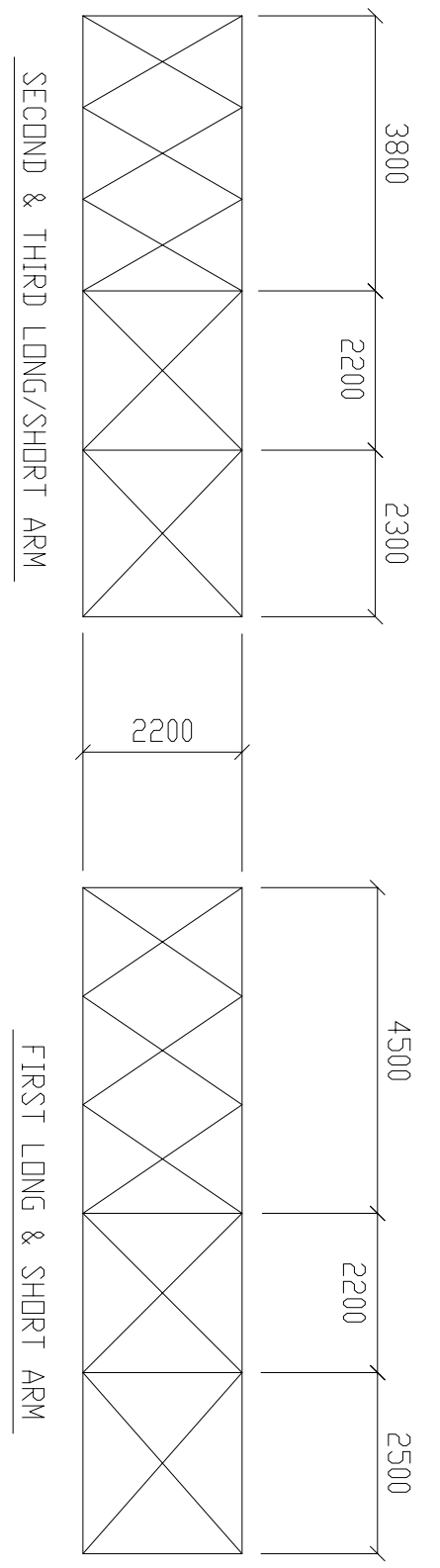
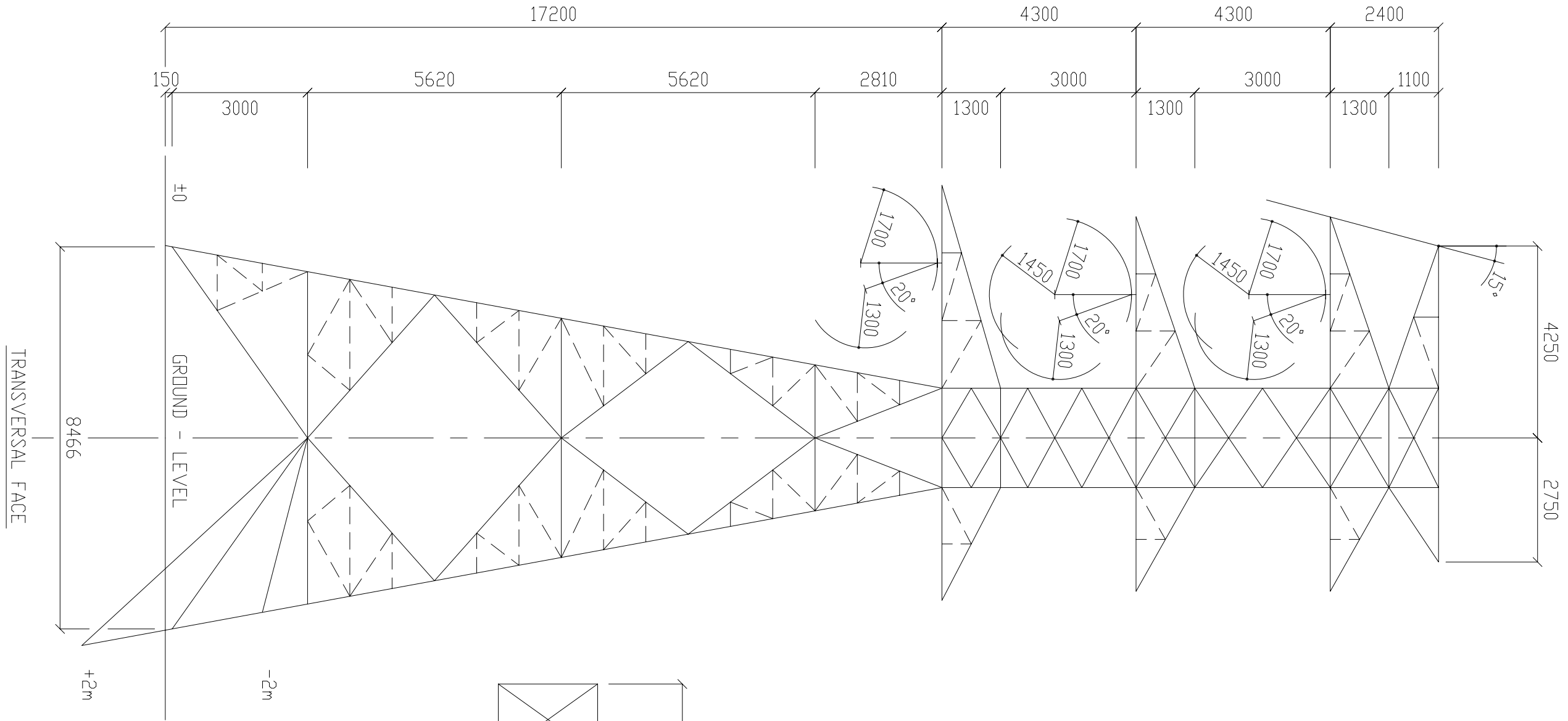
PROJECT: 132 KV. TRANSMISSION LINE

TITLE: 35°-60° A/S & 0° TERM. TOWER TYPE "245D"

DATE:

DWG. No 2039

THIS DOCUMENT IS THE EXCLUSIVE PROPERTY OF BABCOCK AND MAY NOT, WITHOUT BABCOCK CONSENT BE UTILIZED OR COPIED, REPRODUCED, TRANSMITTED OR COMMUNICATED TO A THIRD PARTY.



TRANSVERSAL FACE

GROUND - LEVEL

LONGITUDINAL FACE

LONG & SHORT PEAK

SCALE 1 : 150



Babcock Ntuthuko Powerlines

PROJECT:	132 KV. TRANSMISSION LINE	DATE:	
TITLE:	60°-90° A/S & 0°-35° TERM. TOWER TYPE "245E"	DWG. No	2040

THIS DOCUMENT IS THE EXCLUSIVE PROPERTY OF BABCOCK AND MAY NOT, WITHOUT BABCOCK CONSENT BE UTILIZED OR COPIED, REPRODUCED, TRANSMITTED OR COMMUNICATED TO A THIRD PARTY.