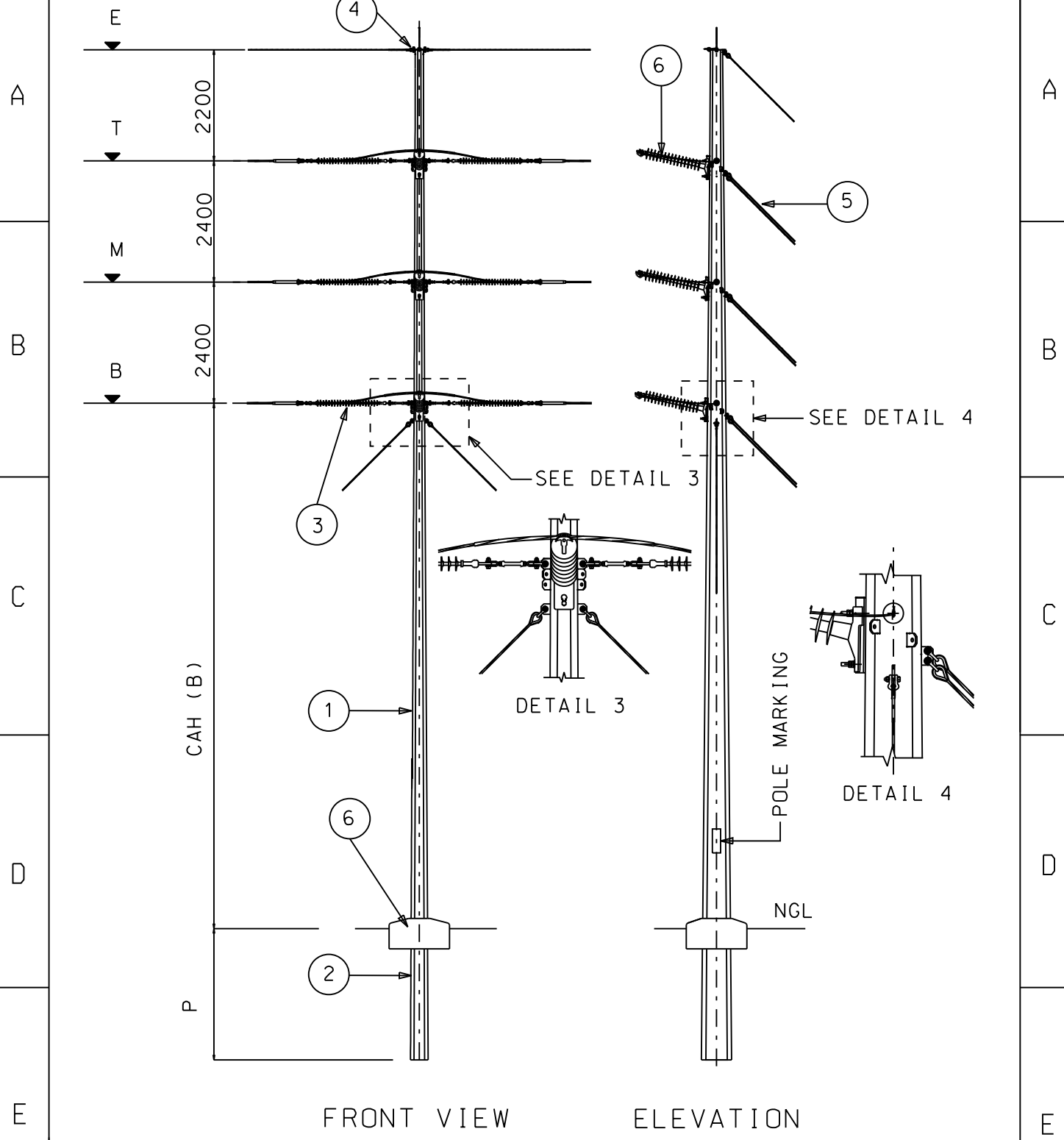


1

2

3

4



REV	REVISION DESCRIPTION	BY	CHKD	AUTH	DATE	PROJECT NO.

<p>Eskom Distribution</p>	<p>DISTRIBUTION TECHNOLOGY SUB-TRANSMISSION LINES GUYED STRAIN STRUCTURE GENERAL ARRANGEMENT (0-90°)</p>					
	<p>AUTH:</p>					
	<p>DATE:</p>					
	<p>CHKD:</p>					
	<p>DATE:</p>					
<p>DRAWN: P.A. TRUBLET</p>	<p>D-DT-7645</p>			<p>SET</p> <p>4</p>	<p>SHEET</p> <p>1</p>	<p>REVISION</p> <p>A</p>
<p>DATE: 03.11.2009</p>						

2

3

4 A4L