

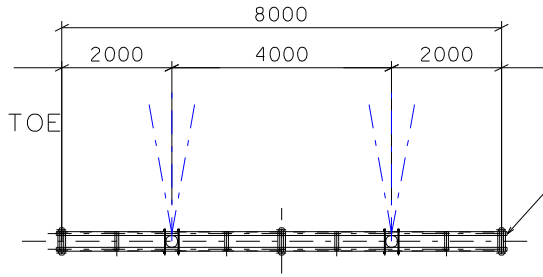
1

2

3

4

200 x 75 PFC CHANNELS TOE TO TOE FOR DETAILS SEE SHEET 2

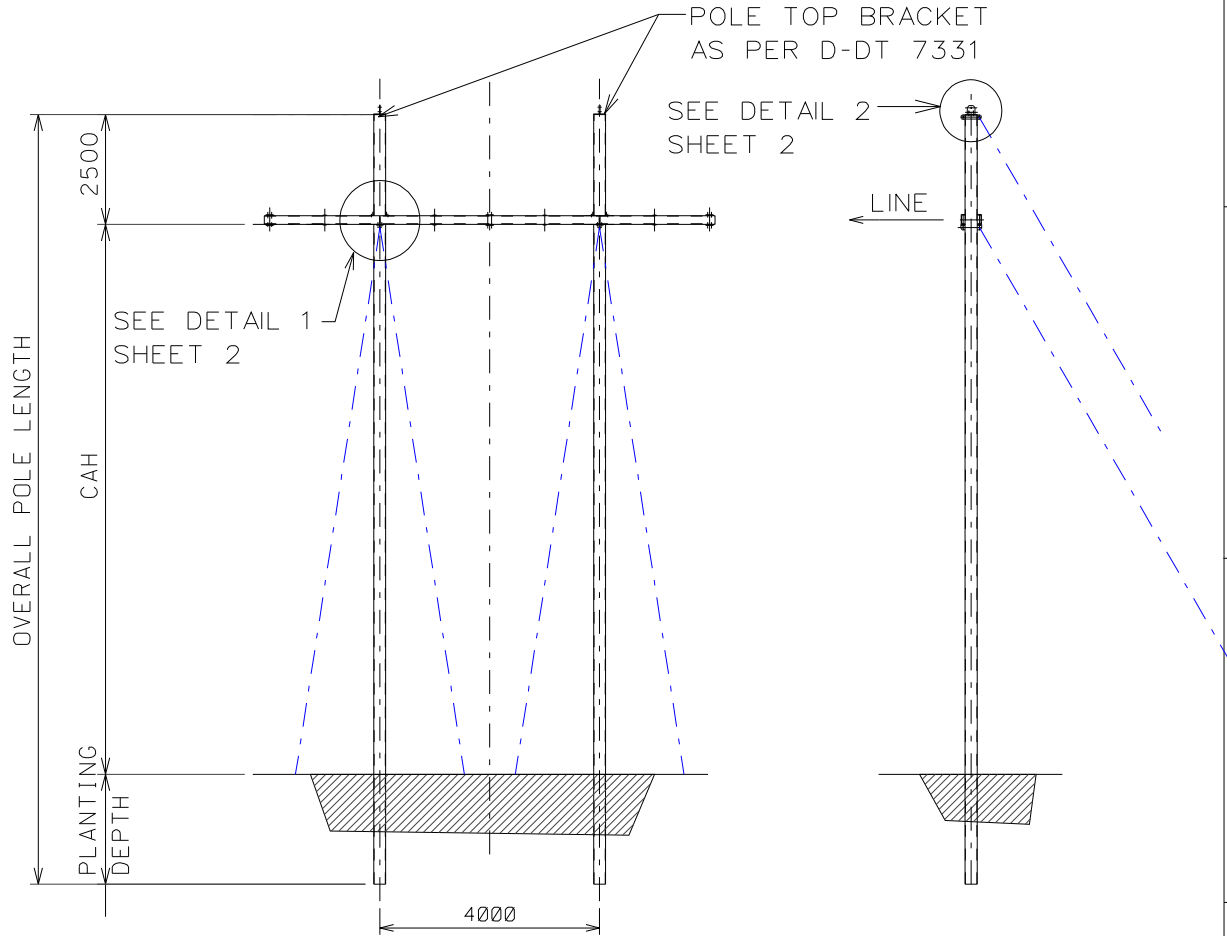


120 kN CROSS ARM CAPACITY

SEE DETAIL 3 SHEET 2

2 SHIELD WIRE STAYS  
4 CROSS ARM STAYS SPLAYED

PLAN ON CROSS ARM



DETAILS OF TERMINAL STRUCTURE

|     |                                       |      |        |        |            |             |
|-----|---------------------------------------|------|--------|--------|------------|-------------|
| 1   | RETICULATION REMOVED FROM TITLE BLOCK | N.M. | P.A.T. | P.A.T. | 31.01.2010 |             |
| 0   | ISSUED FOR PUBLICATION                | SLR  | RAB    | AB     | FEB 2005   |             |
| REV | REVISION DESCRIPTION                  | BY   | CHKD   | AUTH   | DATE       | PROJECT NO. |



DISTRIBUTION TECHNOLOGY  
SUB-TRANSMISSION LINES

|        |           |
|--------|-----------|
| AUTH:  | A BEKKER  |
| DATE:  | SEPT 2004 |
| CHKD:  | RAB       |
| DATE:  | SEPT 2004 |
| DRAWN: | SLR       |
| DATE:  | SEPT 2004 |

132kV H-POLE STRUCTURES - 8m XARM  
TERMINAL STRUCTURE 70-120kN RANGE

D-DT 7808

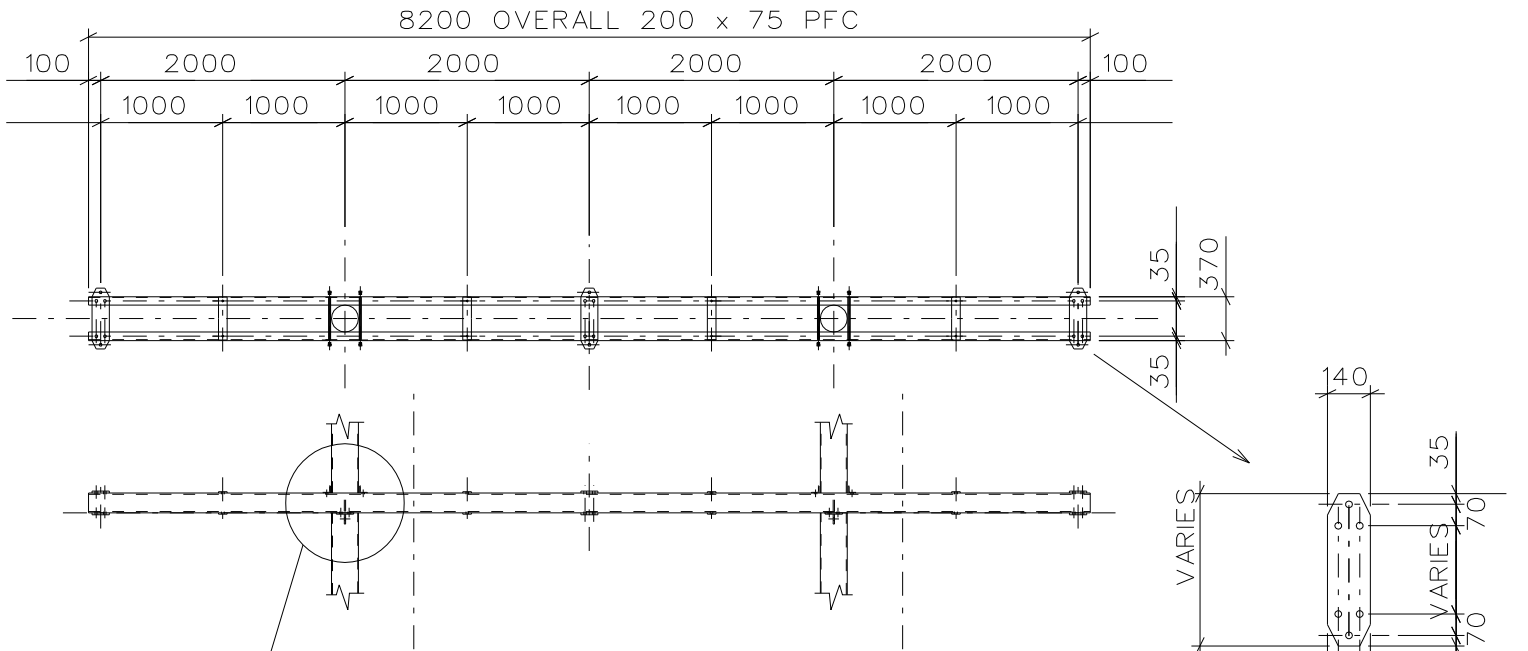
|     |       |          |
|-----|-------|----------|
| SET | SHEET | REVISION |
| 3   | 1     | 1        |

1

2

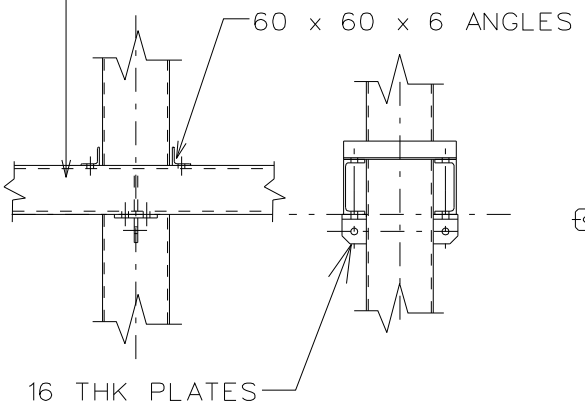
3

4 A4L

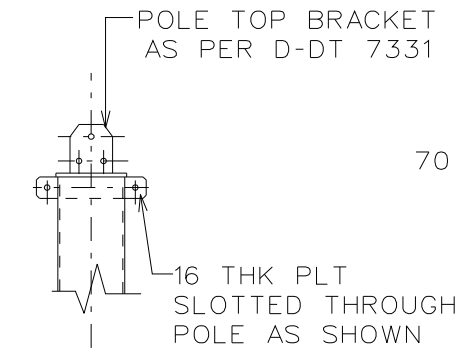


DETAILS OF CROSS ARM

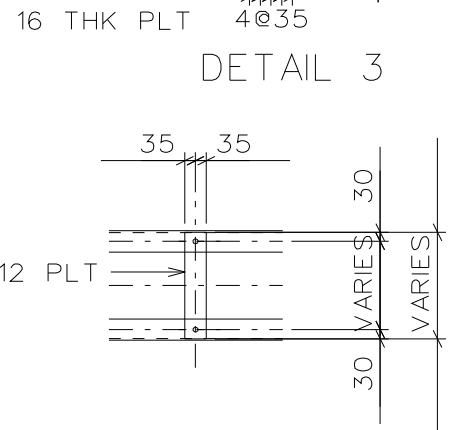
200 x 75 PFC WITH 8THK STIFFS



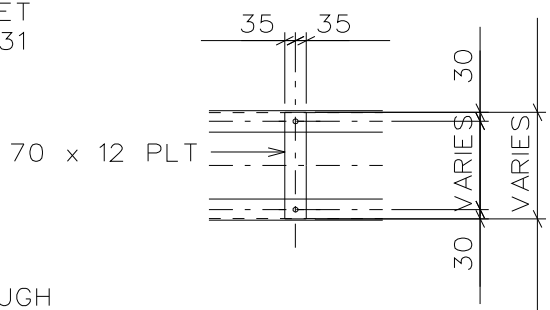
DETAIL 1



DETAIL 2



DETAIL 3



DETAIL OF TIE PLATES

|     |                                       |      |        |        |            |             |
|-----|---------------------------------------|------|--------|--------|------------|-------------|
| 1   | RETICULATION REMOVED FROM TITLE BLOCK | N.M. | P.A.T. | P.A.T. | 31.01.2010 |             |
| 0   | ISSUED FOR PUBLICATION                | SLR  | RAB    | AB     | FEB 2005   |             |
| REV | REVISION DESCRIPTION                  | BY   | CHKD   | AUTH   | DATE       | PROJECT NO. |



DISTRIBUTION TECHNOLOGY  
SUB-TRANSMISSION LINES

AUTH: A BEKKER  
DATE: SEPT 2004

CHKD: RAB

DATE: SEPT 2004

DRAWN: SLR

DATE: SEPT 2004

132KV H-POLE STRUCTURES - 8m XARM

TERMINAL STRUCTURE 70-120KN RANGE

D-DT 7808

|     |       |          |
|-----|-------|----------|
| SET | SHEET | REVISION |
| 3   | 2     | 1        |

1 2 3 4 A4L

DESIGN CRITERIA:

ALL STEEL GRADE 300W  
 ALL BOLTS GRADE 8.8 BOLTS  
 POLES AND CROSS ARMS TO BE SUPPLIED WITH FIXING BOLTS

| POLES USED FOR H-POLE | OVERALL HEIGHT | PLANTING DEPTH | CROSS ARM ATT HEIGHT AGL | SHIELD WIRE ATT HEIGHT AGL | CONDUCTOR ATT HEIGHT AGL |
|-----------------------|----------------|----------------|--------------------------|----------------------------|--------------------------|
| 219 x 4,5 THK CHS     | 15.1           | 2.0            | 10.6                     | 13.1                       | 10.6                     |
| 219 x 4,5 THK CHS     | 16.1           | 2.0            | 11.6                     | 14.1                       | 11.6                     |
| 219 x 4,5 THK CHS     | 17.1           | 2.0            | 12.6                     | 15.1                       | 12.6                     |
| 219 x 6,0 THK CHS     | 18.2           | 2.0            | 13.7                     | 16.2                       | 13.7                     |
| 219 x 6,0 THK CHS     | 19.2           | 2.0            | 14.7                     | 17.2                       | 14.7                     |
| 324 x 4,5 THK CHS     | 20.1           | 2.0            | 15.6                     | 18.1                       | 15.6                     |

70 TO 120kN UTS CONDUCTORS

| POLES USED FOR H-POLE | WIND SPAN | WEIGHT SPAN | ELECTRICAL SPAN |
|-----------------------|-----------|-------------|-----------------|
| 15.1                  | 350       | 455         | 460             |
| 16.1                  | 350       | 455         | 460             |
| 17.1                  | 350       | 455         | 460             |
| 18.2                  | 350       | 455         | 460             |
| 19.2                  | 350       | 455         | 460             |
| 20.1                  | 350       | 455         | 460             |

|  |                                       |           |      |        |        |            |             |
|--|---------------------------------------|-----------|------|--------|--------|------------|-------------|
| 1  | RETICULATION REMOVED FROM TITLE BLOCK |           | N.M. | P.A.T. | P.A.T. | 31.01.2010 |             |
| 0  | ISSUED FOR PUBLICATION                |           | SLR  | RAB    | AB     | FEB 2005   |             |
| REV  | REVISION DESCRIPTION                  |           | BY   | CHKD   | AUTH   | DATE       | PROJECT NO. |
| <br>DISTRIBUTION TECHNOLOGY<br>SUB-TRANSMISSION LINES |                                       |           |      |        |        |            |             |
| 132kV H-POLE STRUCTURES - 8m XARM<br>TERMINAL STRUCTURE 70-120kN RANGE   |                                       |           |      |        |        |            |             |
| AUTH: A BEKKER   |                                       |           |      |        |        |            |             |
| DATE: SEPT 2004  |                                       |           |      |        |        |            |             |
| CHKD: RAB  |                                       |           |      |        |        |            |             |
| DATE: SEPT 2004  |                                       |           |      |        |        |            |             |
| DRAWN: SLR   |                                       | D-OT 7808 |      | 3      | 3      | 1          |             |
| DATE: SEPT 2004  |                                       |           |      | SET    | SHEET  | REVISION   |             |