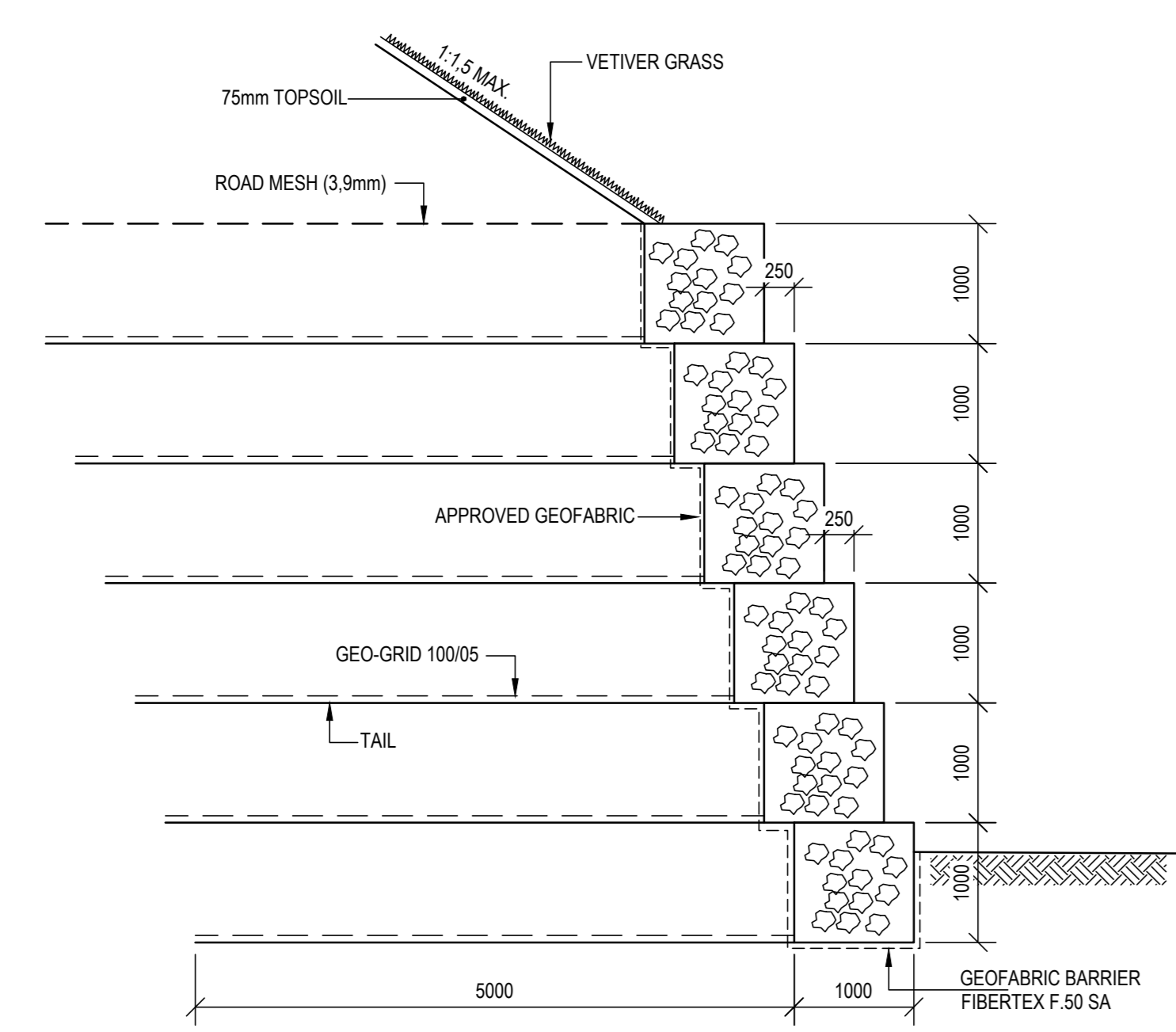
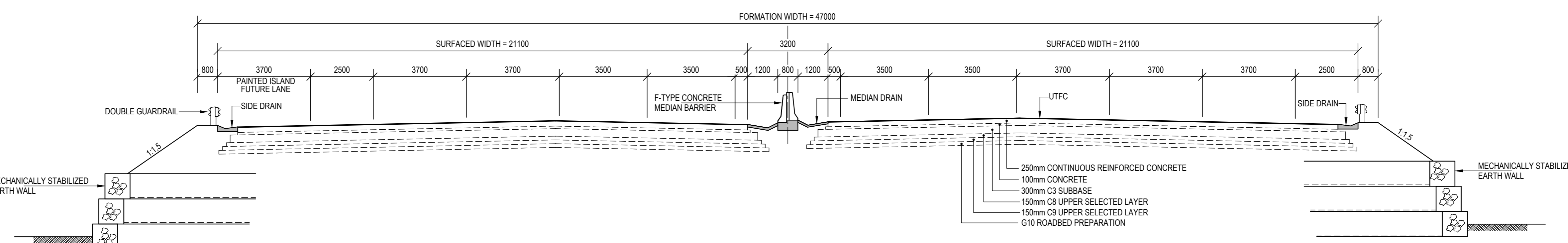


UMPUSHINI SPRUIT BRIDGE
 B1018 AT KM 0.503378 ON N3-03
 Y = 52 001.429
 X = 3 283 518.409
 SKEW ANGLE = 0°

PLAN
 1:150



SECTION A-A
 1:50



APPROACH ROAD
 1:100

CONSTRUCTION RECORD WORKS CONTRACT ENGINEER Name: _____ Prof. Reg. No.: _____ Date: _____ SANRAL PROJECT MANAGER Name: _____ Date: _____		DESIGNED BY NAME: JJ RAUTENBACH Prof. Reg. No.: 912952 CHECKED BY NAME: JJ JANSE VAN RENSBURG Prof. Reg. No.: 920018 DRAWN BY NAME: D VENTER		CONSULTANT APPROVAL Name: N K NATHOO Prof. Reg. No.: 1920096 Date: /-/-/		HEAD OFFICE 48 Tambotie Avenue Val de Grace Pretoria 0184 PO Box 415 Pretoria 0001 South Africa Tel: (012) 844 8000		EASTERN REGION 58 Van Eck Place Mkonjeni Pietermaritzburg 3200 PO Box 100410 Scottsville 3209 Tel: (033) 392 8100 Fax: (033) 386 3365		ACCEPTANCE THIS ACCEPTANCE IS FOR PROCEDURAL AND ADMINISTRATIVE REVIEW PURPOSES ONLY AND DOES NOT ATTRACT LEGAL LIABILITY OR LIABILITY OF ANY KIND FROM WHATSOEVER CAUSE OR HOWEVER ARISING for the SA NATIONAL ROADS AGENCY SOC LTD. Date:		PROJECT DESCRIPTION UPGRADING OF NATIONAL ROUTE 3, SECTIONS 2 AND 3, FROM LYNNFIELD PARK (N3/2- KM 30.6) TO ASHBURTON INTERCHANGE (N3/3- KM 1.5) UMPUSHINI SPRUIT BRIDGE B1018 GENERAL ARRANGEMENT : SHEET 1		PROJECT NUMBER NRA N003-023-2017/1F		DRAWING LOCATION DATA ROUTE: N3 SECTION: 3 DRAWING TYPE: STRUCTURES-BRIDGES BRIDGE/STRUCTURE No.: B1018 CONSULTANT DRAWING No.: 15013-B1018-03 SANRAL DOCUMENT #		START N3 3 0.44 B1018 15013-B1018-03 VER V1		END N3 3 0.52 B1018 15013-B1018-03 VER V1			
NO. DATE REVISION V1 20/10/2018 ORIGINAL VERSION JR CONSULT. ENG.		CONSTRUCTION RECORD WORKS CONTRACT ENGINEER Name: _____ Prof. Reg. No.: _____ Date: _____ SANRAL PROJECT MANAGER Name: _____ Date: _____		DESIGNED BY NAME: JJ RAUTENBACH Prof. Reg. No.: 912952 CHECKED BY NAME: JJ JANSE VAN RENSBURG Prof. Reg. No.: 920018 DRAWN BY NAME: D VENTER		CONSULTANT APPROVAL Name: N K NATHOO Prof. Reg. No.: 1920096 Date: /-/-/		HEAD OFFICE 48 Tambotie Avenue Val de Grace Pretoria 0184 PO Box 415 Pretoria 0001 South Africa Tel: (012) 844 8000		EASTERN REGION 58 Van Eck Place Mkonjeni Pietermaritzburg 3200 PO Box 100410 Scottsville 3209 Tel: (033) 392 8100 Fax: (033) 386 3365		ACCEPTANCE THIS ACCEPTANCE IS FOR PROCEDURAL AND ADMINISTRATIVE REVIEW PURPOSES ONLY AND DOES NOT ATTRACT LEGAL LIABILITY OR LIABILITY OF ANY KIND FROM WHATSOEVER CAUSE OR HOWEVER ARISING for the SA NATIONAL ROADS AGENCY SOC LTD. Date:		PROJECT DESCRIPTION UPGRADING OF NATIONAL ROUTE 3, SECTIONS 2 AND 3, FROM LYNNFIELD PARK (N3/2- KM 30.6) TO ASHBURTON INTERCHANGE (N3/3- KM 1.5) UMPUSHINI SPRUIT BRIDGE B1018 GENERAL ARRANGEMENT : SHEET 1		PROJECT NUMBER NRA N003-023-2017/1F		DRAWING LOCATION DATA ROUTE: N3 SECTION: 3 DRAWING TYPE: STRUCTURES-BRIDGES BRIDGE/STRUCTURE No.: B1018 CONSULTANT DRAWING No.: 15013-B1018-03 SANRAL DOCUMENT #		START N3 3 0.44 B1018 15013-B1018-03 VER V1		END N3 3 0.52 B1018 15013-B1018-03 VER V1	

100mm ON ORIGINAL DRAWING